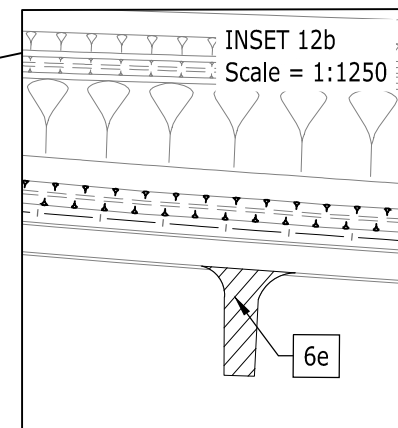
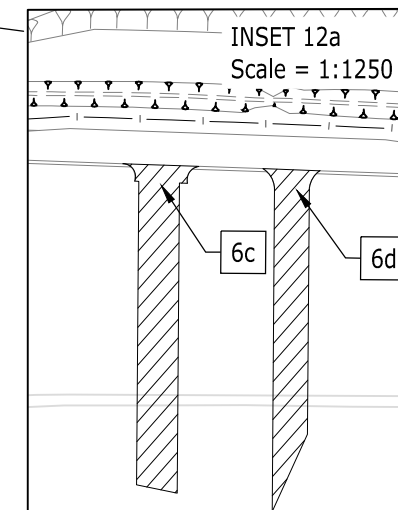
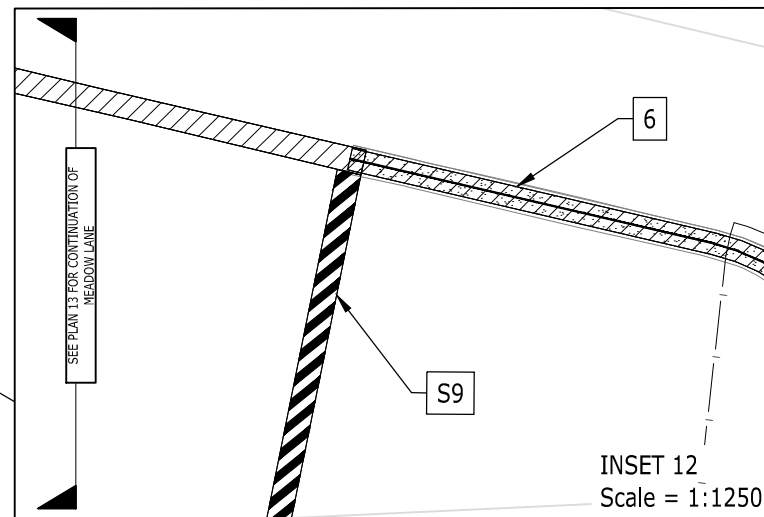
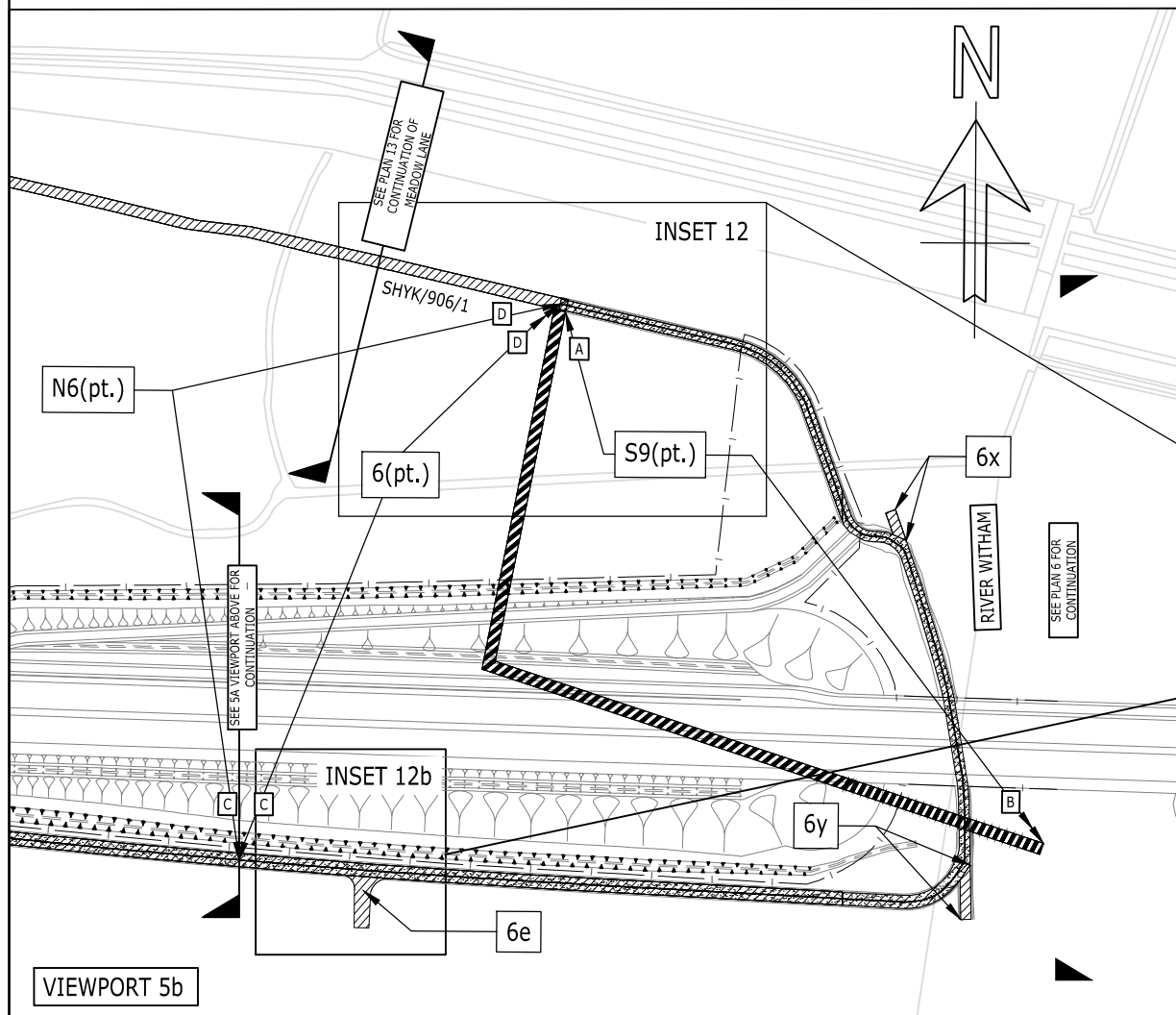
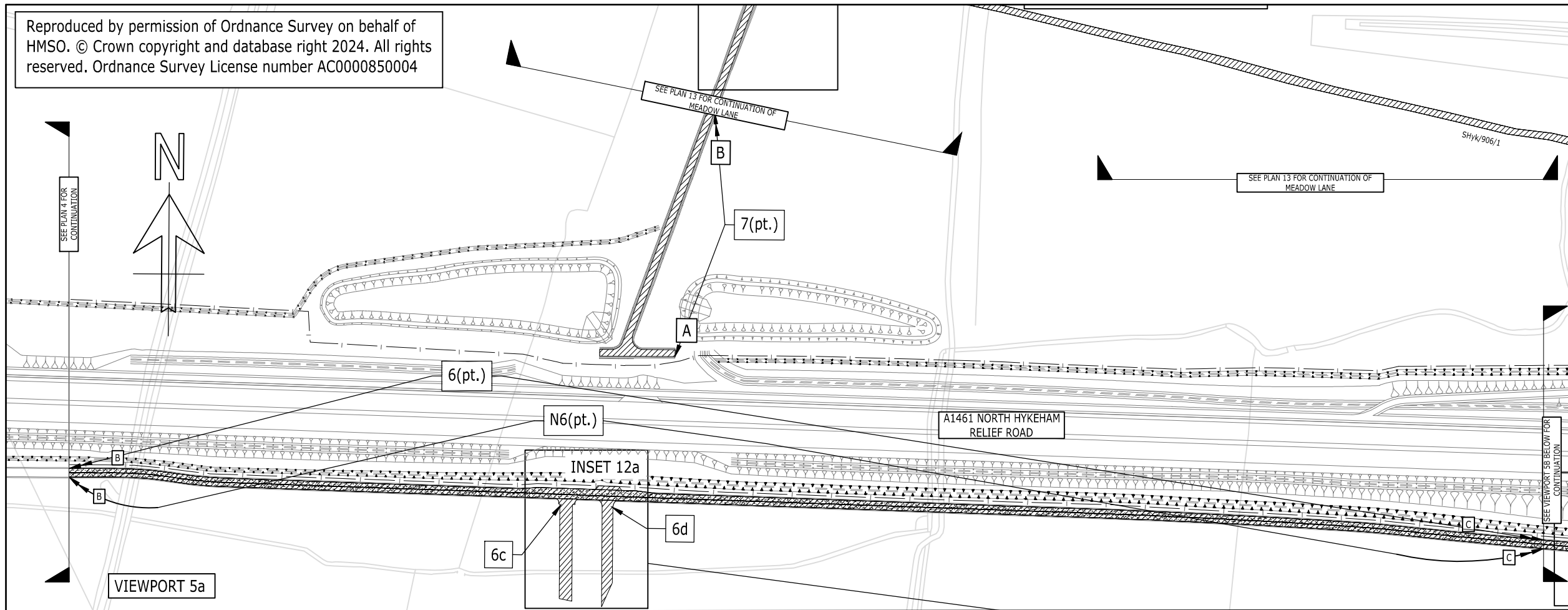


Reproduced by permission of Ordnance Survey on behalf of HMSO. © Crown copyright and database right 2024. All rights reserved. Ordnance Survey License number AC0000850004



KEY

- S* HIGHWAY TO BE STOPPED UP
- H* HIGHWAY TO BE IMPROVED
- N* ROUTE OF NEW HIGHWAY
- X* PRIVATE MEANS OF ACCESS STOPPED UP
- * NEW PRIVATE MEANS OF ACCESS
- - - EXISTING HIGHWAY BOUNDARY
- - - PROPOSED HIGHWAY BOUNDARY
- UCR DENOTES UNCLASSIFIED ROAD
- FP DENOTES PUBLIC FOOTPATH
- # MEASURE TAKEN FROM POINT

REFER TO NHRR-RAM-LSI-HYKE-DR-CH-10000 FOR NORTH HYKEHAM RELIEF ROAD SIDE ROADS ORDER MASTERPLAN

P06	09/05/24			
	DB	2024/05/09	AV	09/05/24
P07	31/05/24			
	DB	BW	AV	31/05/24
C01	FINAL			
	DB	BW	AV	31/05/24
P08	Issue 8			
	BC	BW	AV	15/08/24
C02	Issue 8			
	BC	BW	AV	15/08/24
Rev	Description			
	Drawn	Checked	Approved	Date

Suitability: A3 Drawing Status: Approved & Accepted at Stage 3

Seal:

The COMMON SEAL OF LINCOLNSHIRE COUNTY COUNCIL was hereunto affixed this day of 2024 in the presence of: A duly authorised officer

Project Client:

Project Designer: Project Contractor:

Project Name: North Hykeham Relief Road

Title: THE LINCOLNSHIRE COUNTY COUNCIL (A1461 NORTH HYKEHAM RELIEF ROAD, CLASSIFIED ROAD) (SIDE ROADS) ORDER 2024 PLAN 5

Project No: 1620013942	Scale (@A3): 1:2500	Drawn: BC	Date: 15/08/24
Drawing No: NHRR-RAM-LSI-HYKE-DR-CH-00005		Rev: C02	